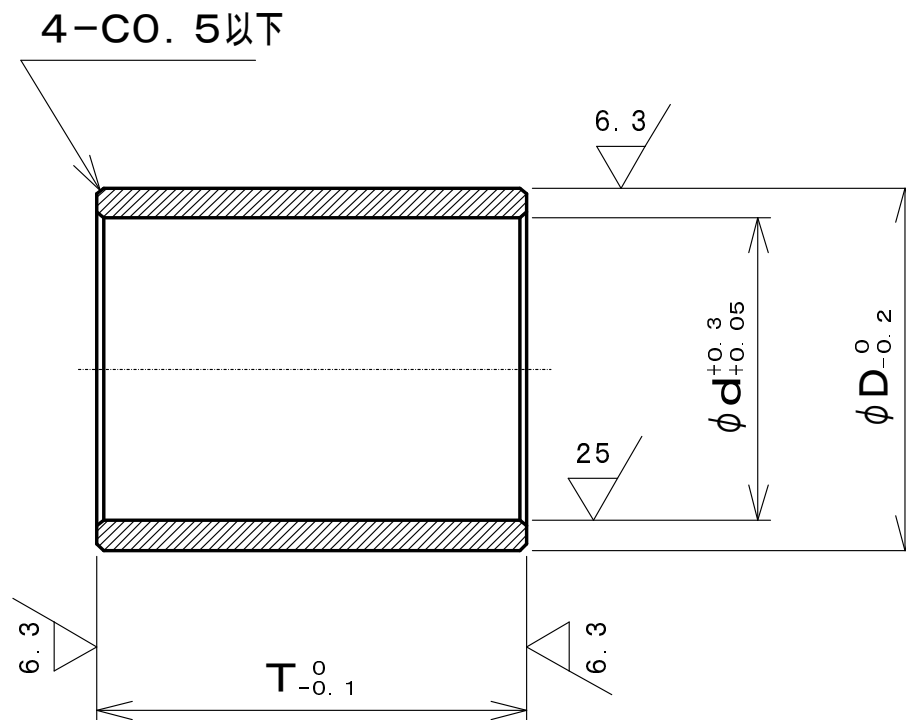


型式	d	D	T
NITM10-12-10	10	12	10
NITM10-12-12	10	12	12
NITM10-12-15	10	12	15
NITM10-12-20	10	12	20
NITM10-15-10	10	15	10
NITM10-15-12	10	15	12
NITM10-15-15	10	15	15
NITM10-15-20	10	15	20
NITM10-16-10	10	16	10
NITM10-16-12	10	16	12
NITM10-16-15	10	16	15
NITM10-16-20	10	16	20
NITM10-20-10	10	20	10
NITM10-20-12	10	20	12
NITM10-20-15	10	20	15
NITM10-20-20	10	20	20
NITM10-25-10	10	25	10
NITM10-25-12	10	25	12
NITM10-25-15	10	25	15
NITM10-25-20	10	25	20
NITM10-30-10	10	30	10
NITM10-30-12	10	30	12
NITM10-30-15	10	30	15
NITM10-30-20	10	30	20

型式	d	D	T
NITM12-15-10	12	15	10
NITM12-15-12	12	15	12
NITM12-15-15	12	15	15
NITM12-15-20	12	15	20
NITM12-16-10	12	16	10
NITM12-16-12	12	16	12
NITM12-16-15	12	16	15
NITM12-16-20	12	16	20
NITM12-20-10	12	20	10
NITM12-20-12	12	20	12
NITM12-20-15	12	20	15
NITM12-20-20	12	20	20
NITM12-25-10	12	25	10
NITM12-25-12	12	25	12
NITM12-25-15	12	25	15
NITM12-25-20	12	25	20
NITM12-30-10	12	30	10
NITM12-30-12	12	30	12
NITM12-30-15	12	30	15
NITM12-30-20	12	30	20



型式	材質	表面処理
NITM	S45C	無電解ニッケル